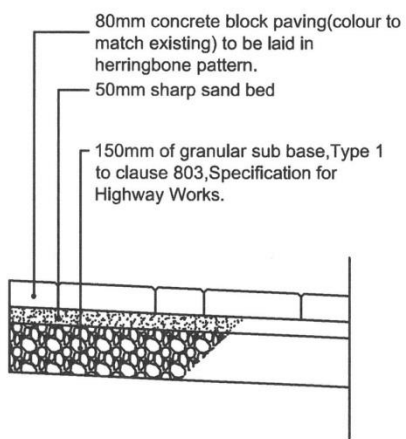
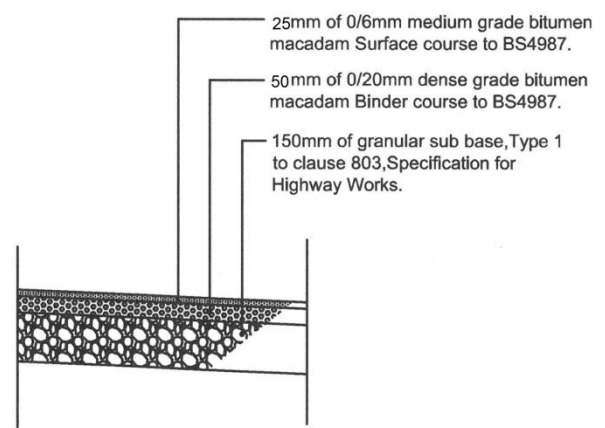


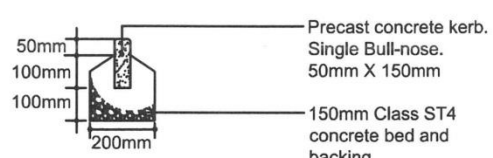
Plan



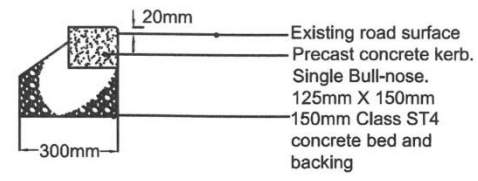
Detail 1
Blocked Paved Crossing



Detail 2
Bituminous Crossing



Detail 3
PC Edging



Detail 4
Kerbing

Notes : Construction details

Kerb face to be taken up in verge width or one third footpath width where no verge.
 No alterations to the line or level of the public highway outside the property boundary are allowed other than as indicated.
 Materials to comply to the Specification for Highway Works published by HMSO.