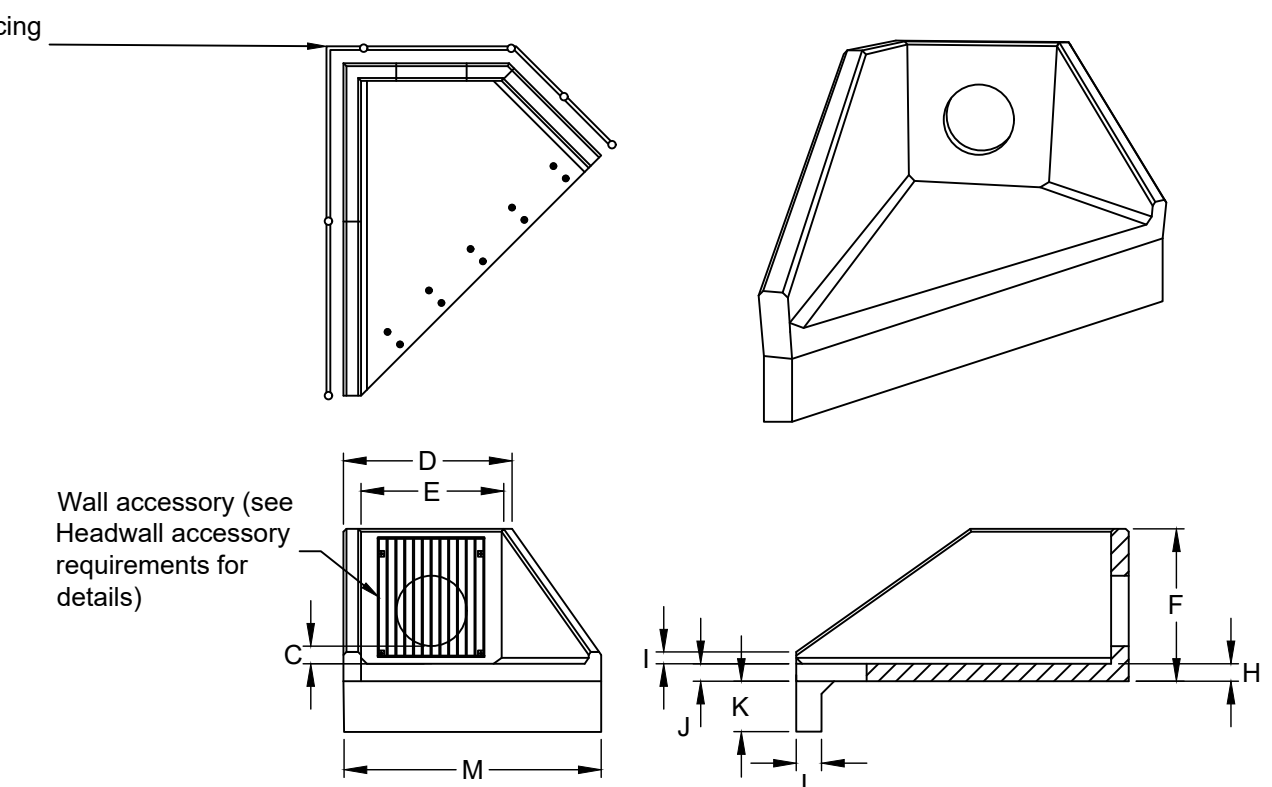
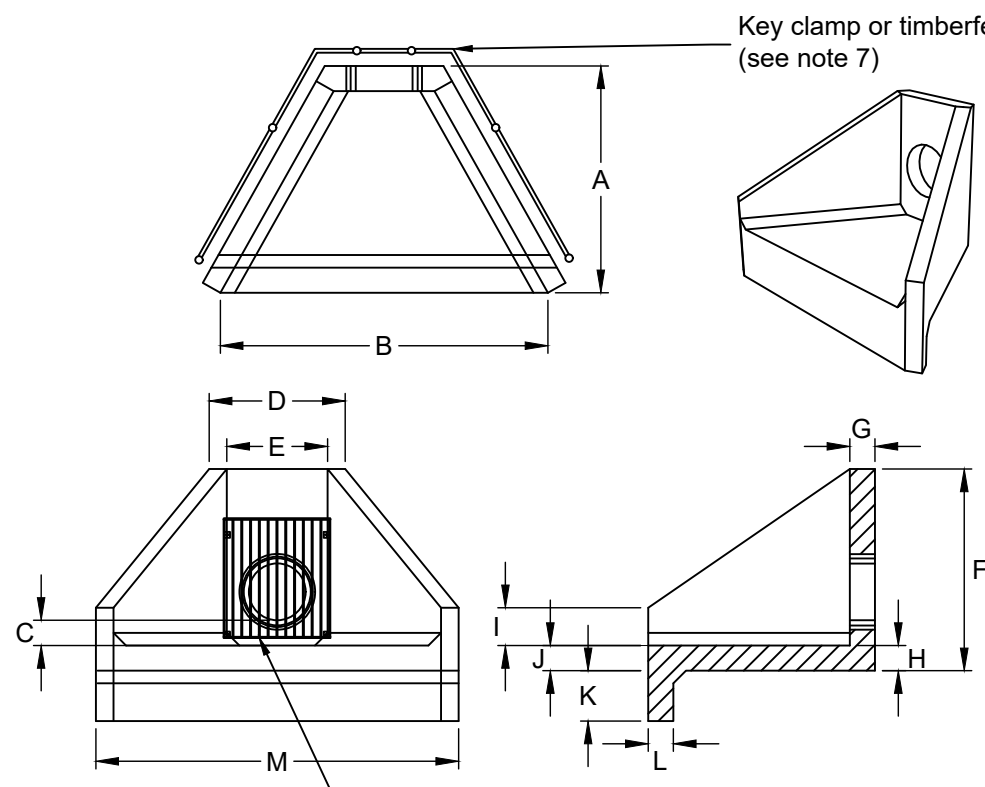


Square headwall

Angled headwall



NOTES

1. All dimensions in millimetres unless shown otherwise.
2. All Screens and Grilles to be hot dipped galvanised.
3. Headwalls are to be precast concrete, unless otherwise agreed with the adopting authority.
4. Headwalls are to be sized to suit incoming pipe diameter as stated in the headwall detail tables.
5. Headwalls are to Althon products specified on headwall schedules, or approved equivalent.
6. Headwall accessories to be provided in accordance with Table 1.
7. Headwalls installed on IDB watercourses to have galvanised steel key clamp guardrail. All other headwalls to have timber post and rail fence, to match highway fence specification.
8. Outfalls into the river Ouzel to have steel flap valves fitted to the wall of headwall. Flap valve size to match diameter of incoming pipe.
9. Outfalls into open channels/ watercourses to have angled headwalls approx. 45° towards the direction of the channel flow.
10. Watercourse banks are to be adjusted to accommodate the headway structure.
11. For further information refer to Standard Detail Guidance Note drawing no. MKCC-100-001.

Table 1: HEADWALL ACCESSORY REQUIREMENTS

HEADWALL LOCATION	PIPE DIAMETER	ACCESSORY REQUIRED
Basin Inlet (Incoming)	15	Liner bracket (where liner is used)
	>= 375	Althon SFA safety grille (100mm bar spacing); Liner bracket (where liner is used)
Basin Outlet (Outgoing)	All	Althon 45° Sloped Trash Screen (Bar Spacing as per headwall schedule); Liner bracket (where liner is used)
Outfall to Watercourse/ Swale	< 375	None
	>= 375	Althon SFA safety grille (100mm bar spacing)
Outfall to River Ouzel	< 375	Flap valve (to match pipe diameter)
	>= 375	Flap valve (to match pipe diameter); Althon cranked grating (100mm bar spacing)
Culvert Inlet (Entry)	All	Althon 45° Sloped trash screen (100mm bar spacing)
Culvert Outlet (Exit)	All	Althon SFA safety Grille (100mm Bar Spacing)
Guard Rail/ Fencing	All	

Table 2: TYPICAL SQUARE PRECAST CONCRETE HEADWALL DETAILS

PIPE DIAMETER	HEADWALL SPECIFICATION	A	B	C	D	E	F	G	H	I	J	K	L	M
225	SFA6A	1050	1330	100	900	685	750	150	150	100	150	450	300	1600
300	SFA6A	1050	1330	100	900	685	750	150	150	100	150	450	300	1600
375	SFA10B	1500	2000	100	1300	1000	1040	150	200	350	150	450	300	2290
450	SFA10B	1500	2000	100	1300	1000	1040	150	200	350	150	450	300	2290
525	SFA15A	2200	2995	100	1800	1500	1300	200	200	350	150	450	300	3275
600	SFA15A	2200	2995	100	1800	1500	1300	200	200	350	150	450	300	3275
675	SFA15A	2200	2995	100	1800	1500	1300	200	200	350	150	450	300	3275

Table 3: TYPICAL ANGLED PRECAST CONCRETE HEADWALL DETAILS

PIPE DIAMETER	HEADWALL SPECIFICATION	A	B	C	D	E	F	G	H	I	J	K	L	M
225	AH4CB	1200	1160	100	540	400	800	100	150	350	100	450	300	1300
300	AH4CB	1200	1160	100	540	400	800	100	150	350	100	450	300	1300
375	AH12CA	2835	2900	100	1410	1200	1300	150	150	100	150	400	300	3300
450	AH12CA	2835	2900	100	1410	1200	1300	150	150	100	150	400	300	3300
525	AH12CA	2835	2900	100	1410	1200	1300	150	150	100	150	400	300	3300
600	AH12CA	2835	2900	100	1410	1200	1300	150	150	100	150	400	300	3300
675	AH12CA	2835	2900	100	1410	1200	1300	150	150	100	150	400	300	3300

MK Milton Keynes City Council
 Highways and Transportation
 Civic Offices
 1 Saxon Gate East
 Central Milton Keynes
 MK9 3EJ

DRAWING TITLE: Concrete Headwall														
SCALE: NTS	REV: P01	DRAWN: LP	CHECKED: JM	APPROVED: LS	REV:	AMENDMENTS:	DRN:	CHCK'D:	APPR'D:	DATE:				
		INITIALS:			DRAWING NO: MKCC-500-008									
		DATE:	16/10/2025	17/03/2026	17/03/2026									

