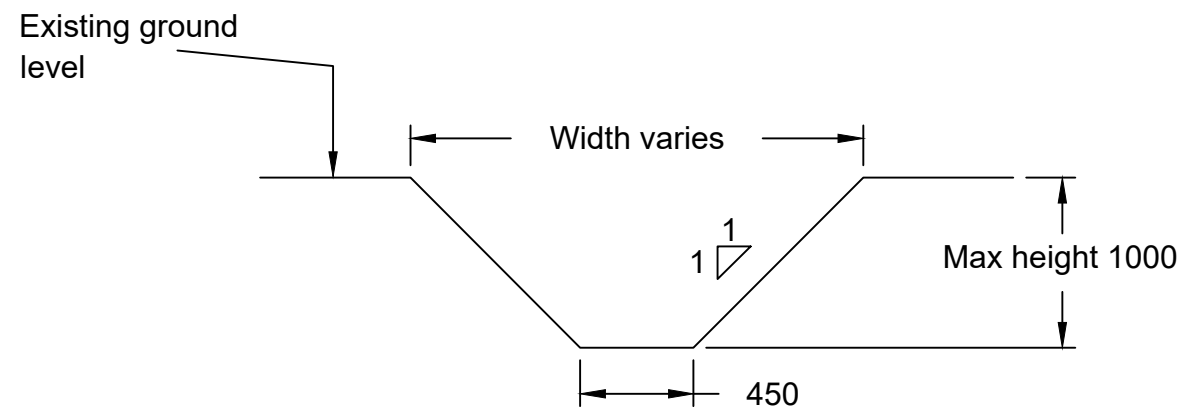
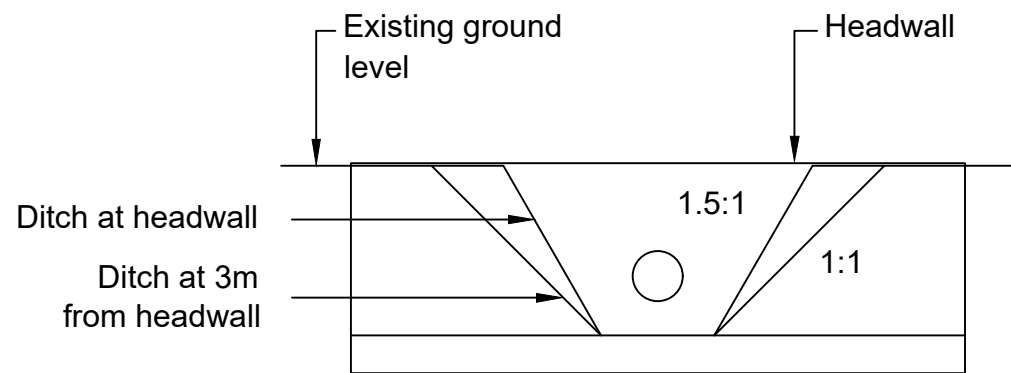


**PLAN**  
Shows transition from Ditch at Headwall



**SECTION A-A**



**SECTION A-A**  
showing headwall

**NOTES**

1. All dimensions are in millimeters unless shown otherwise.
2. For headwall standard, refer to CC 500.
3. For further information refer to Standard Details Guidance Note drawing no. MKCC-100-001.



Highways and Transportation  
Civic Offices  
1 Saxon Gate East  
Central Milton Keynes  
MK9 3EJ

**DRAWING TITLE:**  
Ditch and Transition Details Leading to Headwall

<b>SCALE:</b> NTS	<b>REV:</b> P01	<b>DRAWN:</b> PG	<b>CHECKED:</b> JM	<b>APPROVED:</b> LS
<b>INITIALS:</b>				
<b>DATE:</b>	17/02/2026	17/03/2026	17/03/2026	

REV:	AMENDMENTS:	DRN:	CHCK'D:	APPR'D:	DATE:
-	-	-	-	-	00/00/0000
<b>DRAWING NO:</b> MKCC-600-002					

