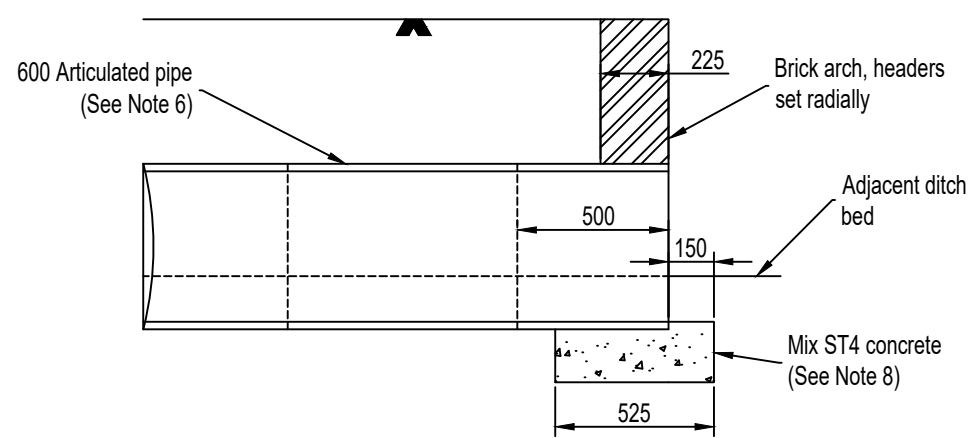
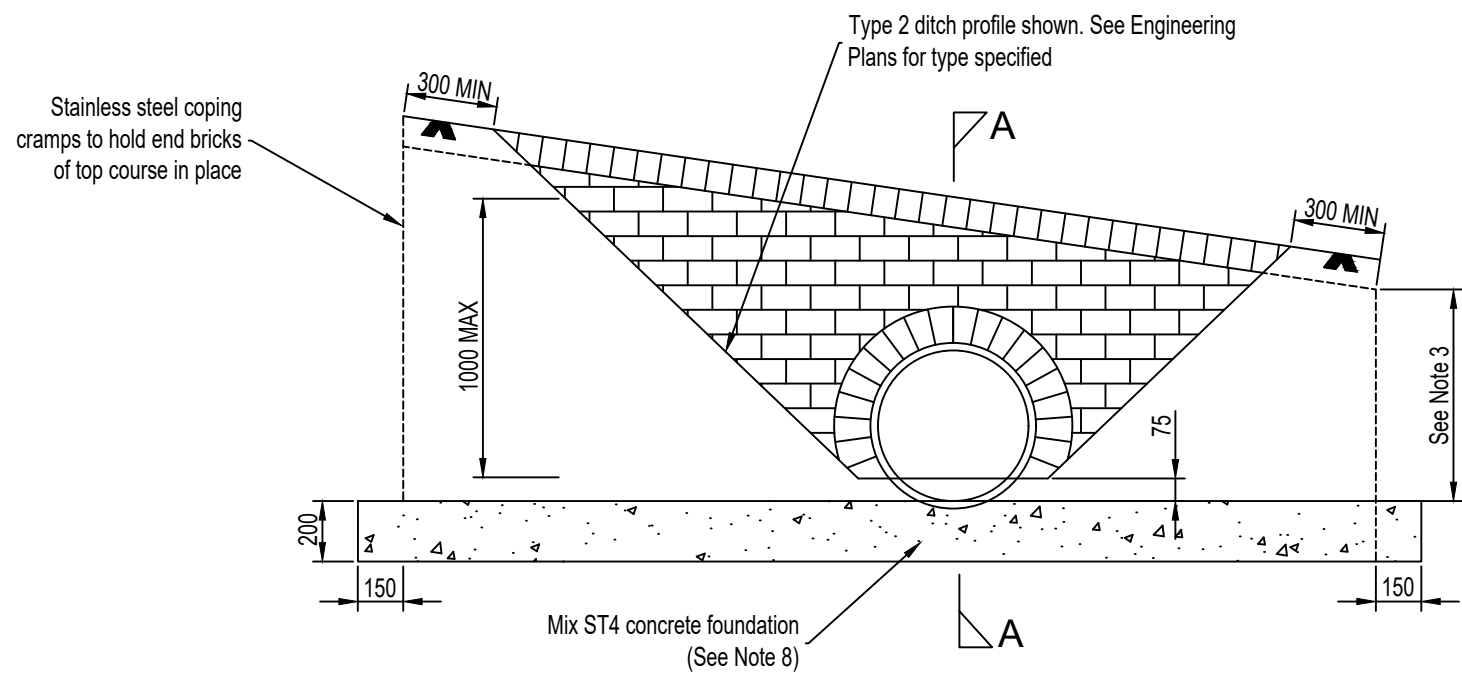


**ELEVATION TYPE 1A  
(LEVEL TOP)**



**SECTION A-A**



**ELEVATION TYPE 1B  
(INCLINED TOP)**

**NOTES**

1. All dimensions are in millimetres unless shown otherwise.
2. Brickwork shall be in Felmish Bond High Density Type Class B solid clay Engineering bricks to BS EN 771-1 and CC 491 Clause 7 laid on Class (i) mortar to CC 491 Clause 2.
3. Wall dimensions shall be as stated in Appendix 5/1.
4. Unless otherwise specified backfill around headwall shall be in accordance with CC 500 Clauses 3.38, 3.39, 3.40 & 3.41.
5. For any ditch protection adjacent to headwall refer to Engineering Plans.
6. The pipe connecting to the headwall shall have an articulated section all as CC 500.
7. Joint finish to exposed brickwork shall be 'Bucket Handle'.
8. All cement used in insitu concrete shall be Cii (A or B) or Ciii A or B to BS 8500-2, Table 1 and Annex A.
9. Brickwork to not exceed 1.0m in height.
10. For further information refer to Standard Details Guidance Note drawing no. MKCC-100-001.

**MK Milton Keynes City Council**  
 Highways and Transportation  
 Civic Offices  
 1 Saxon Gate East  
 Central Milton Keynes  
 MK9 3EJ

<b>DRAWING TITLE:</b>																	
Headwall Type 1A & 1B: Brickwork																	
<b>SCALE:</b>																	
NTS																	
<b>REV:</b>																	
P01																	
<b>DRAWN:</b>			<b>CHECKED:</b>			<b>APPROVED:</b>			<b>REV:</b>		<b>AMENDMENTS:</b>		<b>DRN:</b>	<b>CHCK'D:</b>	<b>APPR'D:</b>	<b>DATE:</b>	
PG			JM			LS										00/00/0000	
<b>INITIALS:</b>			<b>DATE:</b>			<b>DRAWING NO:</b>											
			17/02/2026			MKCC-600-003											
			17/03/2026														
			17/03/2026														

