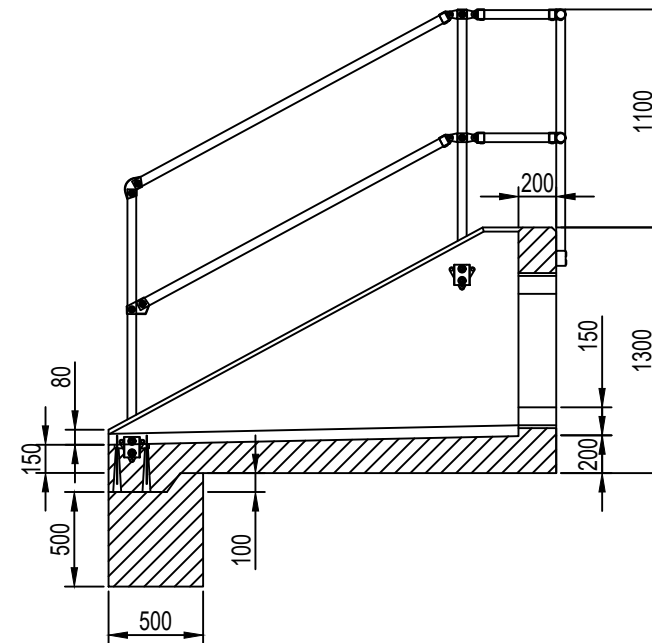
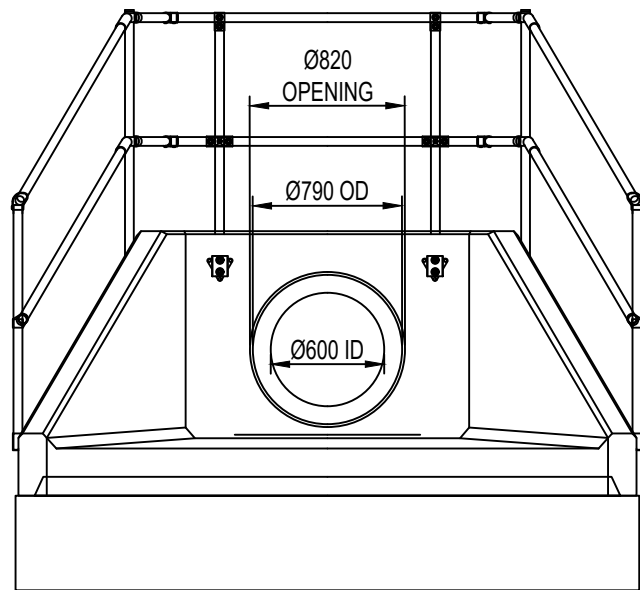
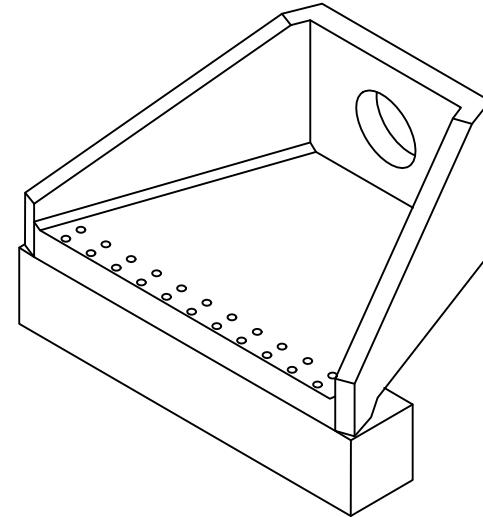


Note: Isometric drawing is for reference only, details may not accurately represent actual design - Please see detailed view for technical information



**NOTES**

1. All dimensions are in millimetres unless shown otherwise.
2. Do not scale from this drawing. Units are in metres unless otherwise specified.
3. The contractor is to check all information provided prior to commencing works and seek clarification from the engineer in respect to any ambiguities found.
4. This drawing should be read in conjunction with all other scheme specific drawings.
5. For further information refer to Standard Details Guidance Note drawing no. MKCC-100-001.

**600mm INLET HEADWALL ALTHON AWSFA15W**



Highways and Transportation  
Civic Offices  
1 Saxon Gate East  
Central Milton Keynes  
MK9 3EJ

<b>DRAWING TITLE:</b>											
Insitu Concrete Headwall											
<b>SCALE:</b>	<b>REV:</b>	<b>DRAWN:</b>	<b>CHECKED:</b>	<b>APPROVED:</b>	<b>REV:</b>	<b>AMENDMENTS:</b>	<b>DRN:</b>	<b>CHCK'D:</b>	<b>APPR'D:</b>	<b>DATE:</b>	
NTS	P01	PG	MLC	LS							00/00/0000
<b>INITIALS:</b>					<b>DRAWING NO:</b>						
<b>DATE:</b>					MKCC-600-008						
		03/11/2025	05/11/2025	17/03/2026							

