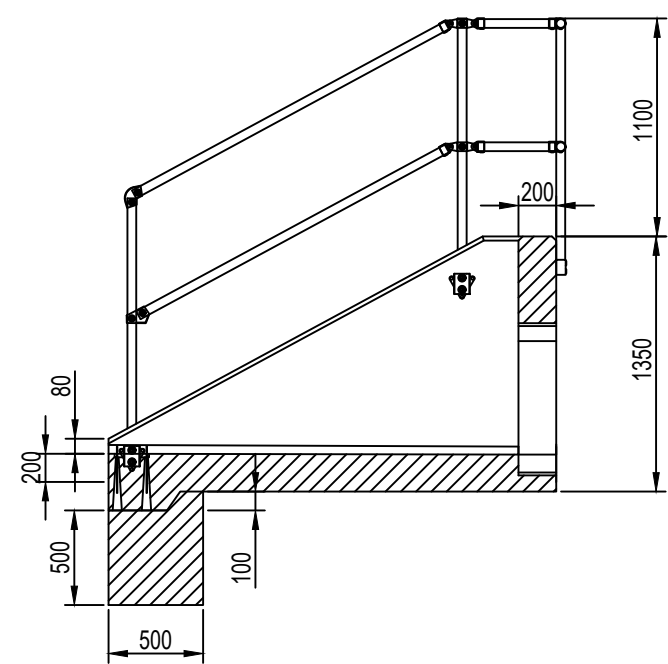
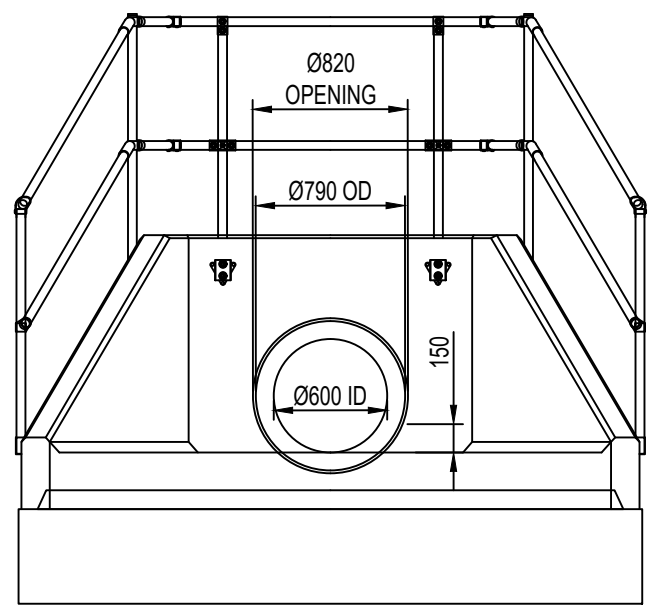
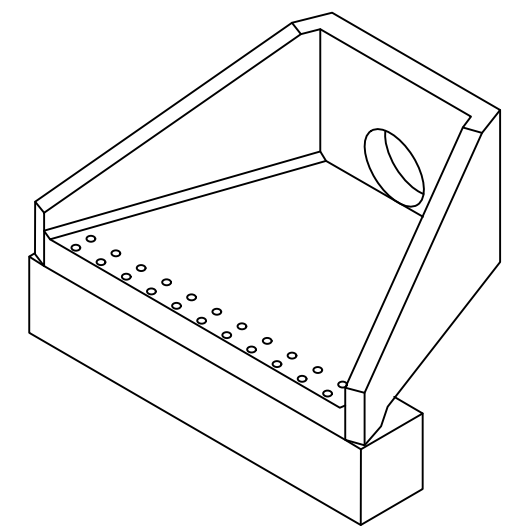


Note: Isometric drawing is for reference only, details may not accurately represent actual design - Please see detailed view for technical information



NOTES

1. All dimensions are in millimetres unless shown otherwise.
2. Do not scale from this drawing. Units are in metres unless otherwise specified.
3. The contractor is to check all information provided prior to commencing works and seek clarification from the engineer in respect to any ambiguities found.
4. This drawing should be read in conjunction with all other scheme specific drawings.
5. For further information refer to Standard Details Guidance Note drawing no. MKCC-100-001.

600mm OUTLET HEADWALL ALTHON AWSFA16W

MK Milton Keynes City Council
 Highways and Transportation
 Civic Offices
 1 Saxon Gate East
 Central Milton Keynes
 MK9 3EJ

DRAWING TITLE:		Insitu Concrete Headwall										
SCALE:	REV:		DRAWN:	CHECKED:	APPROVED:	REV:	AMENDMENTS:	DRN:	CHCK'D:	APPR'D:	DATE:	
NTS	P01		PG	MLC	LS						00/00/0000	
		INITIALS:				DRAWING NO:						
		DATE:	03/11/2025	05/11/2025	17/03/2026	MKCC-600-009						

